

| LIGHTING CONTROL PANEL "LCP" | | | | | | | |
|------------------------------|---------|-------------|-------------|-----|------|-----|---------|
| RELAY | CIRCUIT | AREA | TEL DIAL UP | | AUTO | | REMARKS |
| | | | ON | OFF | ON | OFF | |
| 1 | H1-7 | F133 | X | | X | X | |
| 2 | H1-7 | F133 | X | X | X | X | |
| 3 | H1-7 | H133 | X | X | X | X | |
| 4 | H1-7 | L135 | | | X | X | |
| 5 | H1-7 | H133 | X | | X | X | |
| 6 | H1-7 | O133 | | | X | X | |
| 7 | H1-7 | P137 | X | | X | X | |
| 8 | P1-50 | N136 | | | X | X | |
| 9 | P1-50 | M134 | | | X | X | |
| 10 | H1-9 | H132-CORR | | | X | X | |
| 11 | P1-50 | M134-CORR | | | X | X | |
| 12 | H1-9 | RM 121-Q141 | X | X | X | X | |
| 13 | H1-9 | RM 121-H139 | X | X | X | X | DR105 |
| 14 | | | | | | | |
| 15 | | | | | | | |
| 16 | | | | | | | |
| 17 | | | | | | | |
| 18 | | | | | | | |
| 19 | | | | | | | |
| 20 | | | | | | | |
| 21 | | | | | | | |
| 22 | | | | | | | |
| 23 | | | | | | | |
| 24 | | | | | | | |

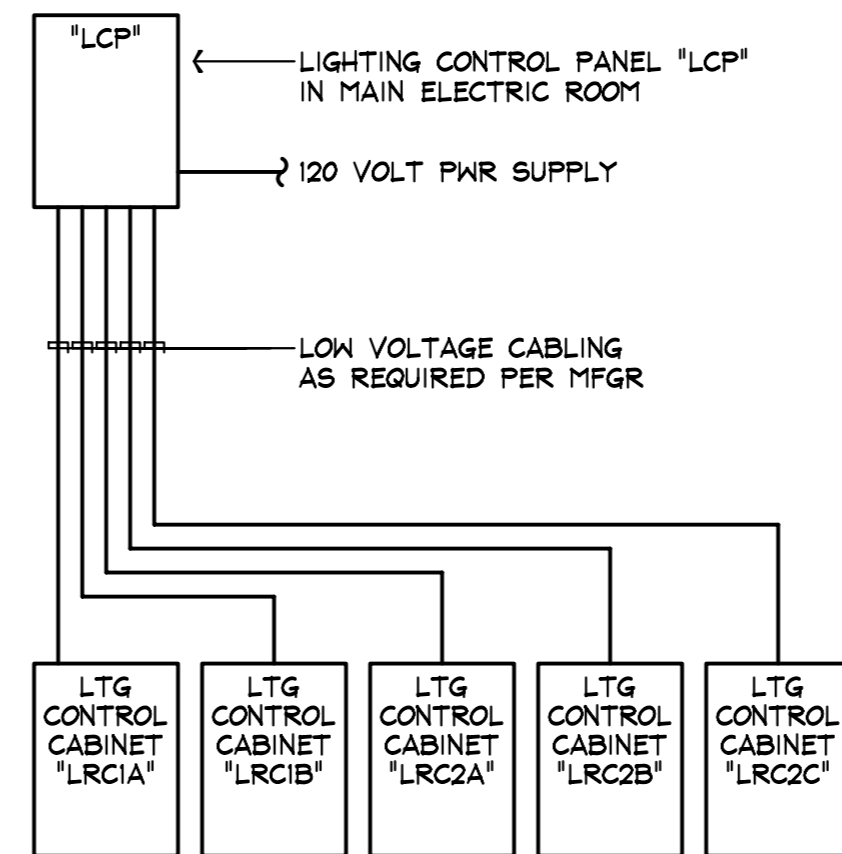
| RELAY PANEL "LRC2A" | | | | | | | |
|---------------------|---------|------|-------------|-----|------|-----|---------|
| RELAY | CIRCUIT | AREA | TEL DIAL UP | | AUTO | | REMARKS |
| | | | ON | OFF | ON | OFF | |
| 1 | H2-4 | M253 | | | X | X | X |
| 2 | H2-4 | H254 | | | X | X | X |
| 3 | H2-4 | E244 | X | X | X | X | |
| 4 | H2-4 | G241 | X | X | X | X | DR200 |
| 5 | H2-4 | B240 | X | X | X | X | DR200 |
| 6 | H2-4 | B239 | X | X | X | X | DR207 |
| 7 | H2-4 | E244 | X | X | X | X | |
| 8 | H2-4 | G260 | X | X | X | X | DR207 |
| 9 | H2-4 | G261 | X | X | X | X | DR207 |
| 10 | H2-4 | G262 | X | X | X | X | DR207 |
| 11 | P3-18 | A228 | X | X | X | X | |
| 12 | P3-18 | A226 | X | X | X | X | |
| 13 | P3-18 | A225 | X | X | X | X | |
| 14 | P3-20 | A230 | X | X | X | X | DR207 |
| 15 | P3-20 | A229 | X | X | X | X | DR207 |
| 16 | P3-20 | A227 | X | X | X | X | DR207 |
| 17 | P3-22 | A231 | X | X | X | X | |
| 18 | P3-22 | A232 | X | X | X | X | |
| 19 | | | | | | | |
| 20 | | | | | | | |
| 21 | | | | | | | |
| 22 | | | | | | | |
| 23 | | | | | | | |
| 24 | | | | | | | |

| RELAY PANEL "LRC2C" | | | | | | | |
|---------------------|---------|-------|-------------|-----|------|-----|---------|
| RELAY | CIRCUIT | AREA | TEL DIAL UP | | AUTO | | REMARKS |
| | | | ON | OFF | ON | OFF | |
| 1 | H2-1 | F255 | | | X | X | X |
| 2 | H2-1 | F255 | | | X | X | X |
| 3 | H2-1 | F252 | | | X | X | X |
| 4 | H2-3 | Q264 | X | X | X | X | DR204 |
| 5 | H2-3 | H265 | X | X | X | X | |
| 6 | H2-3 | G266 | X | X | X | X | DR204 |
| 7 | H2-3 | G267 | X | X | X | X | DR204 |
| 8 | H2-3 | H250 | | | X | X | X |
| 9 | H2-3 | E242 | X | X | X | X | |
| 10 | H2-3 | D236 | X | X | X | X | DR204 |
| 11 | H2-3 | G268 | X | X | X | X | DR204 |
| 12 | H2-3 | G269 | X | X | X | X | DR204 |
| 13 | P3-24 | N251 | X | X | X | X | |
| 14 | P3-24 | A224A | X | X | X | X | |
| 15 | P3-24 | A224B | X | X | X | X | DR204 |
| 16 | P3-26 | A224 | X | X | X | X | |
| 17 | P3-26 | A225 | X | X | X | X | DR205 |
| 18 | P3-26 | A222 | X | X | X | X | DR205 |
| 19 | P3-28 | A219 | X | X | X | X | |
| 20 | P3-28 | A218 | X | X | X | X | DR205 |
| 21 | P3-28 | A217 | X | X | X | X | DR205 |
| 22 | H2-5 | F246 | | | X | X | DR205 |
| 23 | H2-5 | B237 | X | X | X | X | DR205 |
| 24 | H2-5 | F245 | | | X | X | DR205 |
| 25 | | | | | | | |
| 26 | | | | | | | |
| 27 | | | | | | | |
| 28 | | | | | | | |
| 29 | | | | | | | |
| 30 | | | | | | | |

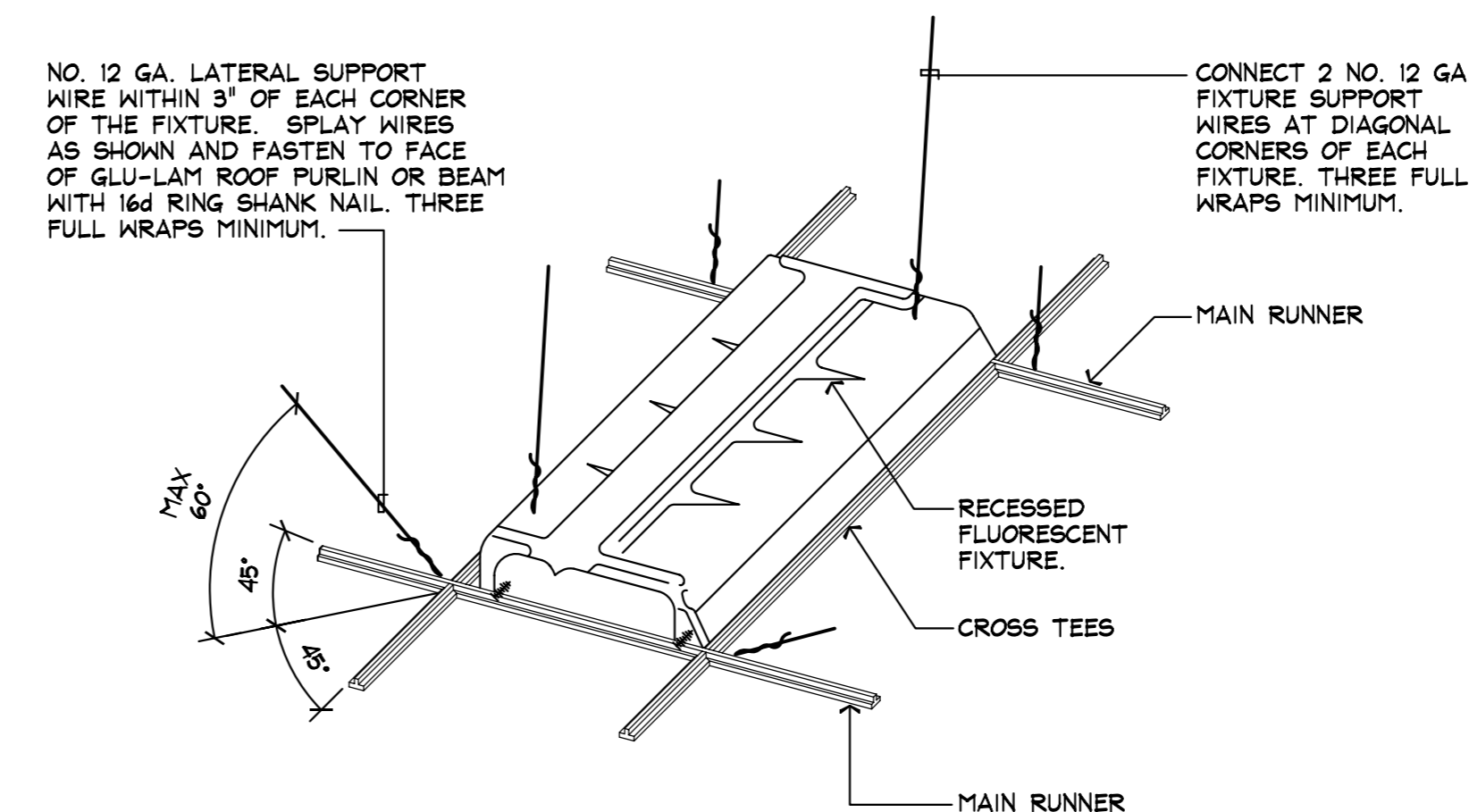
| RELAY PANEL "LRC1A" | | | | | | | |
|---------------------|---------|---------|-------------|-----|------|-----|-----------------|
| RELAY | CIRCUIT | AREA | TEL DIAL UP | | AUTO | | REMARKS |
| | | | ON | OFF | ON | OFF | |
| 1 | H1-1 | X152 | X | X | X | X | LV SW "a" DR107 |
| 2 | H1-1 | X144 | X | X | X | X | LV SW "b" DR107 |
| 3 | P1-43 | A106 | X | X | X | X | |
| 4 | P1-43 | A107 | X | X | X | X | |
| 5 | P1-43 | A108 | X | X | X | X | |
| 6 | P1-45 | A104 | X | X | X | X | |
| 7 | P1-45 | A105 | X | X | X | X | |
| 8 | P1-47 | A101 | X | X | X | X | DR107 |
| 9 | P1-47 | A102 | X | X | X | X | DR107 |
| 10 | P1-47 | A103 | X | X | X | X | DR107 |
| 11 | H1-1 | B116 | X | X | X | X | DR102 |
| 12 | H1-1 | G117 | X | X | X | X | DR101 |
| 13 | H1-1 | OFF 126 | X | X | X | X | DR107 |
| 14 | H1-1 | OFF 125 | X | X | X | X | DR107 |
| 15 | H1-1 | OFF 103 | X | X | X | X | DR107 |
| 16 | H1-1 | OFF 102 | X | X | X | X | DR107 |
| 17 | H1-1 | OFF 101 | X | X | X | X | DR107 |
| 18 | P1-49 | A109 | X | X | X | X | DR102 |
| 19 | P1-49 | A113 | X | X | X | X | DR102 |
| 20 | H1-1 | D118 | X | X | X | X | DR102 |
| 21 | H1-1 | E124 | | | X | X | X |
| 22 | | | | | | | |
| 23 | | | | | | | |
| 24 | | | | | | | |

| RELAY PANEL "LRC2B" | | | | | | | |
|---------------------|---------|--------|-------------|-----|------|-----|---------|
| RELAY | CIRCUIT | AREA | TEL DIAL UP | | AUTO | | REMARKS |
| | | | ON | OFF | ON | OFF | |
| 1 | H2-6 | L238 | X | X | X | X | DR206 |
| 2 | H2-6 | E248 | X | X | X | X | |
| 3 | P3-19 | A215 | X | X | X | X | DR206 |
| 4 | P3-19 | A220 | X | X | X | X | DR206 |
| 5 | P3-21 | A216 | X | X | X | X | |
| 6 | P3-21 | A221 | X | X | X | X | |
| 7 | H2-6 | RM 201 | X | | X | X | X |
| 8 | H2-6 | G248 | | | | | |
| 9 | H2-6 | H247 | | | | | |
| 10 | P3-21 | N249 | | | X | X | X |
| 11 | H2-6 | K259 | X | X | X | X | DR210 |
| 12 | H2-6 | J257 | X | X | X | X | |
| 13 | H2-6 | H258 | X | X | X | X | DR201 |
| 14 | H2-8 | E242 | X | X | X | X | |
| 15 | H2-8 | E242 | | | X | X | X |
| 16 | H2-8 | E242 | X | X | X | X | |
| 17 | H2-8 | B233 | X | X | X | X | DR201 |
| 18 | H2-8 | B233 | X | X | X | X | DR201 |
| 19 | H2-8 | C234 | X | X | X | X | DR202 |
| 20 | H2-8 | G271 | X | X | X | X | DR202 |
| 21 | H2-8 | G270 | X | X | X | X | DR203 |
| 22 | H2-8 | C235 | X | X | X | X | DR203 |
| 23 | P3-23 | A211 | X | X | X | X | |
| 24 | P3-23 | A212 | X | X | X | X | |
| 25 | P3-23 | A208 | X | X | X | X | |
| 26 | P3-25 | A205 | X | X | X | X | |
| 27 | P3-25 | A206 | X | X | X | X | |
| 28 | P3-25 | A209 | X | X | X | X | |
| 29 | P3-27 | AA210 | X | X | X | X | DR201 |
| 30 | P3-27 | A202 | X | X | X | X | DR201 |
| 31 | P3-29 | A213 | X | X | X | X | |
| 32 | P3-29 | A214 | X | X | X | X | DR203 |
| 33 | P3-29 | A210 | X | X | X | X | |
| 34 | P3-31 | A207 | X | X | X | X | |
| 35 | P3-31 | A203 | X | X | X | X | DR202 |
| 36 | P3-31 | A204 | X | X | X | X | DR202 |
| 37 | | | | | | | |
| 38 | | | | | | | |
| 39 | | | | | | | |
| 40 | | | | | | | |

| RELAY PANEL "LRC1B" | | | | | | | |
|---------------------|---------|-------|-------------|-----|------|-----|---------|
| RELAY | CIRCUIT | AREA | TEL DIAL UP | | AUTO | | REMARKS |
| | | | ON | OFF | ON | OFF | |
| 1 | P1-51 | A110 | X | X | | | DR104 |
| 2 | P1-51 | A111 | X | X | | | DR104 |
| 3 | P1-51 | A112 | X | X | | | DR104 |
| 4 | P1-53 | A114 | X | X | | | |
| 5 | P1-53 | A115 | X | X | | | DR103 |
| 6 | H1-3 | E120 | X | X | | | DR104 |
| 7 | | | | | | | |
| 8 | H1-3 | F122 | | | X | X | X |
| 9 | H1-3 | F123 | | | X | X | X |
| 10 | H1-3 | E129 | X | X | | | |
| 11 | H1-3 | E130 | X | X | | | DR103 |
| 12 | H1-3 | H132 | | | X | X | X |
| 13 | P1-48 | I-131 | | | X | X | X |
| 14 | H1-5 | Q-138 | X | X | | | DR103 |
| 15 | H1-5 | H-139 | X | X | | | |
| 16 | | | | | | | |
| 17 | | | | | | | |
| 18 | | | | | | | |
| 19 | | | | | | | |
| 20 | | | | | | | |
| 21 | | | | | | | |
| 22 | | | | | | | |
| 23 | | | | | | | |
| 24 | | | | | | | |



1 LIGHTING CONTROL RISER
- NONE



2 LIGHT FIXTURE SUPPORT
- NONE

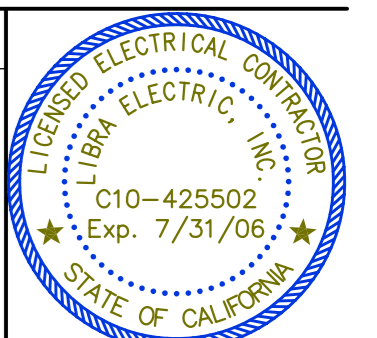
DAHLIN GROUP
2671 Crow Canyon Rd.
San Ramon, CA 94583
925.837.8286
925.837.2543 Fax

DAHLIN GROUP
OFFICE BUILDING
PHASE 2
BUILDING REMODEL

LIBRA ELECTRIC
3200 Osgood Common
Fremont, Ca. 94539
Ph. (510) 353-1260
Lic. C10-425502

THE WITHIN DESIGN IS THE SOLE AND EXCLUSIVE PROPERTY OF LIBRA ELECTRIC, INC. AND IS NOT TO BE USED, COPIED, OR REPRODUCED, IN WHOLE OR IN PART BY ANY OTHER PERSON. EXHIBITION HEREOF IS SOLELY FOR THE PURPOSE OF EFFECTING A SALE OF THE DELINEATED ELECTRICAL DESIGN OR INSTALLATION TO CUSTOMERS OR PROSPECTIVE CUSTOMERS OF LIBRA ELECTRIC, INC.

| REVISIONS | | |
|----------------|----------|-----|
| DESCRIPTION | DATE | BY |
| OWNERS REVIEW | 11.01.04 | LEI |
| CITY SUBMITTAL | 11.09.04 | LEI |
| OWNERS REVIEW | 08.03.05 | LEI |
| OWNERS REVIEW | 09.01.05 | LEI |
| OWNERS REVIEW | 09.14.05 | LEI |



LIGHTING CONTROL SCHEDULES

JOB NO. 04-117 SHEET
DRAWN BCE
CHECK LEI
DATE 11.01.04 OF

E-0.7